

Model:M06K-4OHM

Special Features:

- 6.5" midwoofer
- Die cast frame basket
- Aluminum phase plug design
- Ferrite motor structure
- high power handling

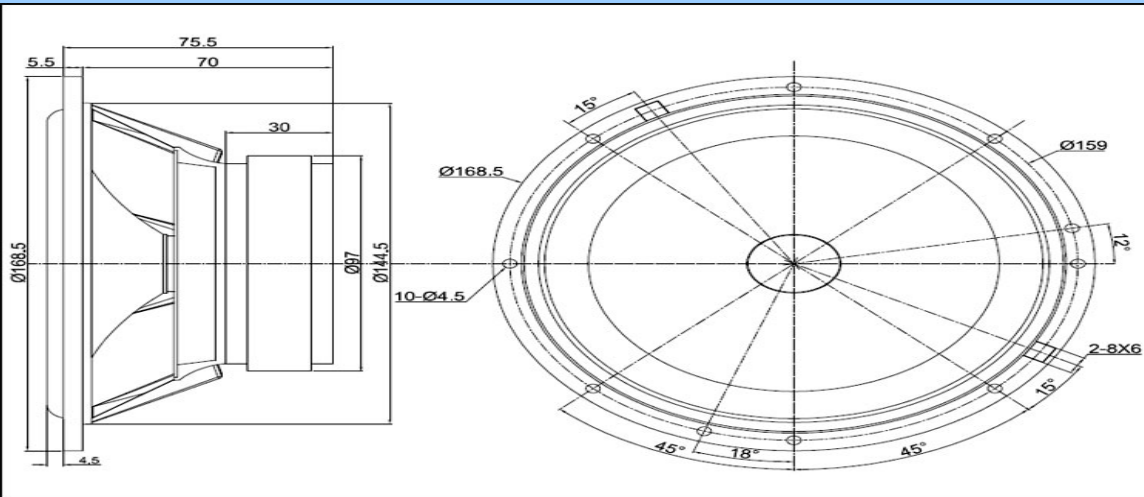


System Specification

Diaphragm	Kevlar
Surround	Rubber
Nominal Impedance	4 ohm
DCR Impedance	3.67 ohm
Sensitivity 1W/1M	88 dB
Frequency Response	61-6K Hz
Resonant Frequency	61Hz
Voice Coil Diameter	25.5 mm
Rated Power Input	75 W
Maximum Power Input	150 W

Net.Weight	1.4 kg
Moving Mass	13.0 g
Suspension Compl	508 um/N
Effec Piston Area	0.01307 m2
Levc@ 1KHz	1.03 mH
X-max	+/-6mm
Vas	12.3 L
Qts	0.58
Qms	3.38
Qes	0.7

Mechanical 2D Drawing



Frequency and Impedance Response

