

## Model: F02P-4OHM

### Special Features:

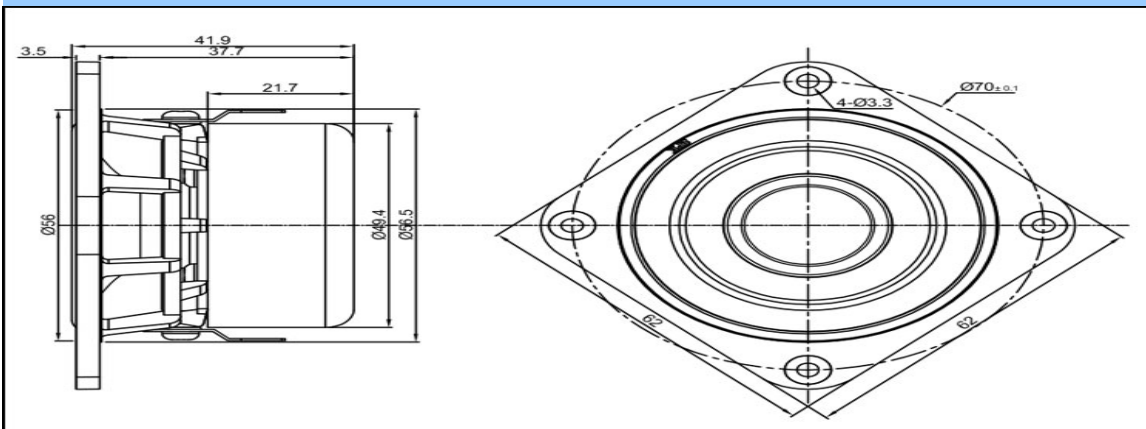
- 2 inch full range/wide band driver
- Die cast frame basket
- Neodymium motor
- Polypropylene cone with rubber edge designed for high quality multimedia



### System Specification

Diaphragm	Polypropylene	Net.Weight	0.2 kg
Surround	rubber	Moving Mass	1.98 g
Nominal Impedance	4 ohm	Suspension Compl	1009 um/N
DCR Impedance	3.86 ohm	Effec Piston Area	0.00166 m <sup>2</sup>
Sensitivity 1W/1M	82 dB	Levc@ 1KHz	0.8 mH
Frequency Response	115-20K Hz	X-max	+/-2.5mm
Resonant Frequency	115 Hz	Vas	0.40 L
Voice Coil Diameter	20.4 mm	Qts	0.43
Rated Power Input	15 W	Qms	2.2
Maximum Power Input	22 W	Qes	0.51

### Mechanical 2D Drawing



### Frequency and Impedance Response

