

## Model: F02A-4OHM

### Special Features:

- 2 inch full range/wide band driver
- Die cast frame basket
- Neodymium motor
- Aluminum cone with rubber edge
- designed for high quality multimedia

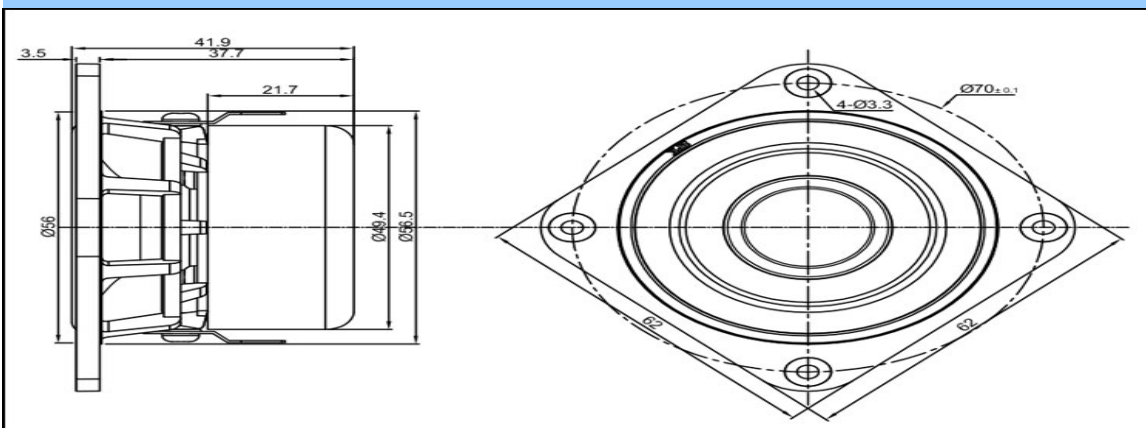


### System Specification

Diaphragm	Aluminum
Surround	rubber
Nominal Impedance	4 ohm
DCR Impedance	3.86 ohm
Sensitivity 1W/1M	82 dB
Frequency Response	110-20K Hz
Resonant Frequency	110 Hz
Voice Coil Diameter	20.4 mm
Rated Power Input	15 W
Maximum Power Input	22 W

Net.Weight	0.2 kg
Moving Mass	2.08 g
Suspension Compl	1009 um/N
Effec Piston Area	0.00166 m <sup>2</sup>
Levc@ 1KHz	0.8 mH
X-max	+/-2.5mm
Vas	0.40 L
Qts	0.4
Qms	1.95
Qes	0.51

### Mechanical 2D Drawing



### Frequency and Impedance Response

