

Model:M04A-8OHM

Special Features:

- 4" midwoofer
- Ferrite motor
- high power handling
- low resonant frequency and low distortion
- designed for high quality multimedia

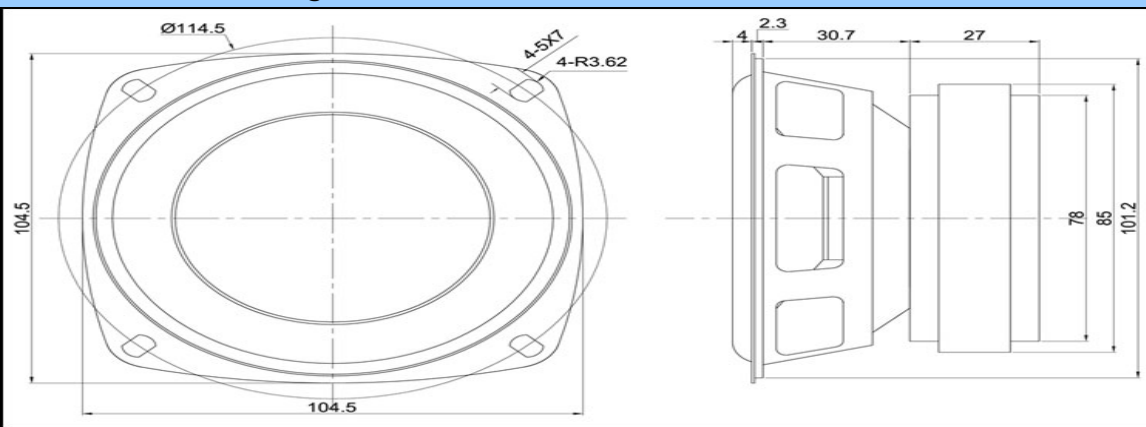


System Specification

Diaphragm	Paper
Surround	Rubber
Nominal Impedance	8 ohm
DCR Impedance	6.65 ohm
Sensitivity 1W/1M	85 dB
Frequency Response	68-5K Hz
Resonant Frequency	68 Hz
Voice Coil Diameter	25.5 mm
Rated Power Input	50W
Maximum Power Input	70W

Net.Weight	0.9kg
Moving Mass	6.56g
Suspension Compl	858 um/N
Efec Piston Area	0.00490m ²
Levc@ 1KHz	1.3 mH
X-max	+/-4mm
Vas	2.93L
Qts	0.34
Qms	1.65
Qes	0.43

Mechanical 2D Drawing



Frequency and Impedance Response

