

## Model:F03N-6OHM

### Special Features:

3 inch full range/wide band driver

Aluminum bullet design

Neodymium motor

Long magnet gap design

designed for high quality multimedia

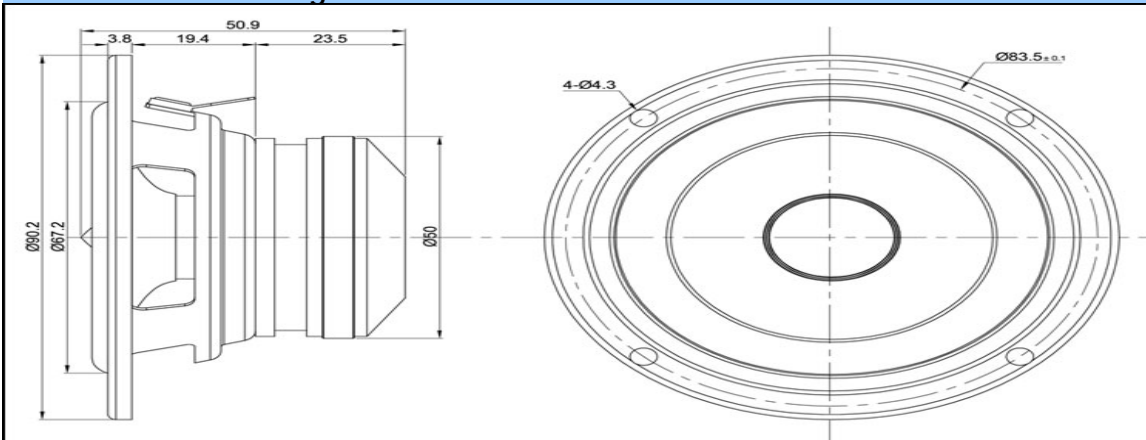


### System Specification

|                     |              |
|---------------------|--------------|
| Diaphragm           | Blue paper   |
| Surround            | Polyurethane |
| Nominal Impedance   | 6 ohm        |
| DCR Impedance       | 5.2 ohm      |
| Sensitivity 1W/1M   | 86 dB        |
| Frequency Response  | 103-20K Hz   |
| Resonant Frequency  | 103Hz        |
| Voice Coil Diameter | 20.4 mm      |
| Rated Power Input   | 15 W         |
| Maximum Power Input | 20W          |

|                   |                        |
|-------------------|------------------------|
| Net.Weight        | 0.3 kg                 |
| Moving Mass       | 1.85 g                 |
| Suspension Compl  | 1300 um/N              |
| Effec Piston Area | 0.00283 m <sup>2</sup> |
| Levc@ 1KHz        | 0.9 mH                 |
| X-max             | +/-3mm                 |
| Vas               | 1.48 L                 |
| Qts               | 0.57                   |
| Qms               | 5.11                   |
| Qes               | 0.65                   |

### Mechanical 2D Drawing



### Frequency and Impedance Response

#### SPL vs Freq

